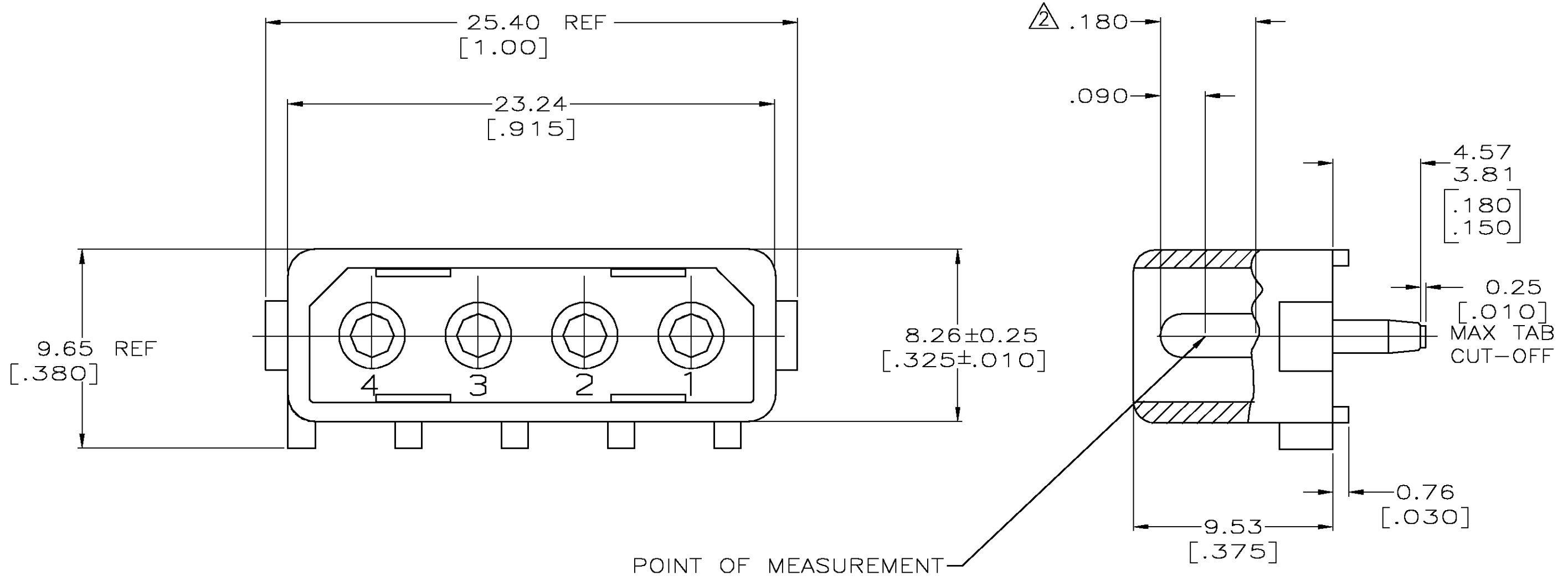
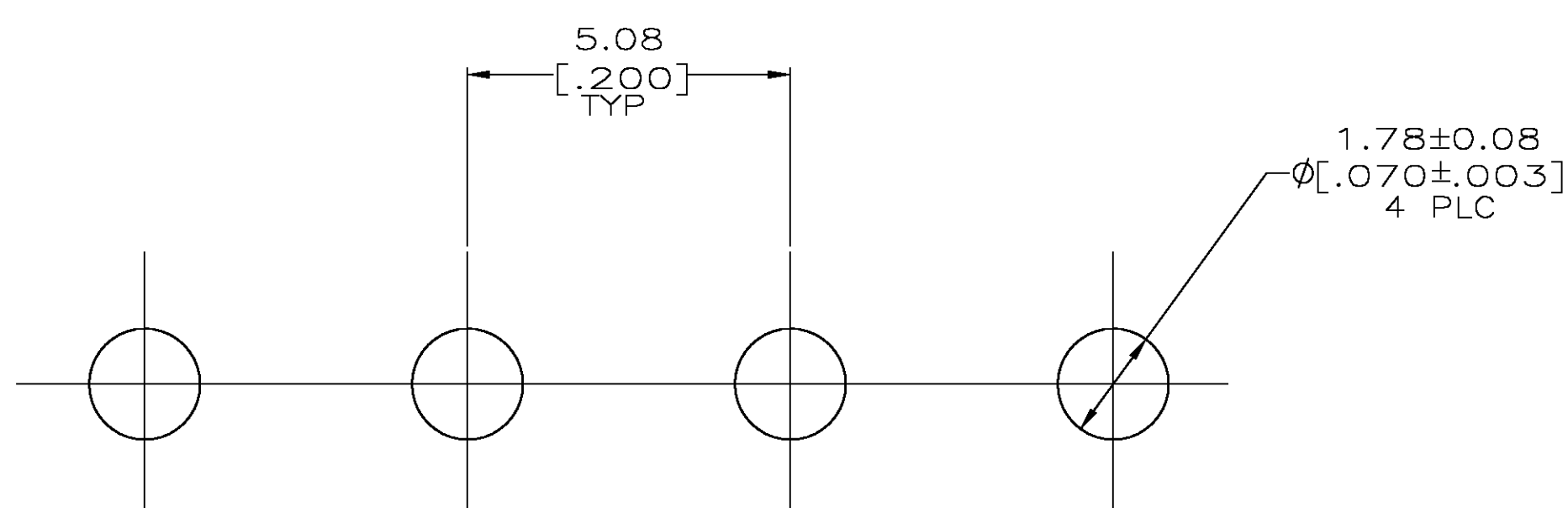


THIS DRAWING IS UNPUBLISHED. RELEASED FOR PUBLICATION
 © COPYRIGHT BY TYCO ELECTRONICS CORPORATION. ALL RIGHTS RESERVED.

LOC		DIST		REVISIONS			
P	LTR	DESCRIPTION		DATE	DWN	APVD	
U1		REVISED PER ECO-05-003084		27MAY05	KW	DC	



- PARTS MUST COMPLY WITH AMP SOLDERABILITY SPECIFICATION 109-11-3.
- CONTACT IS PLATED OVERALL WITH 0.00127 [.000050] NICKEL, THEN 0.00076 [.000030] GOLD OVER CONTACT LENGTH INDICATED AND MATTE TIN ON SOLDER TAIL END.
- DIMENSIONS IN BRACKETS ARE IN INCHES.



RECOMMENDED P.C. BOARD LAYOUT FOR 1.57 [.062] THICK P.C. BOARD SCALE 10:1

PHOS BRZ, TIN LEAD	NYLON, UL94V-2	350211-3
PHOS BRZ, PRE-TIN	NYLON, UL94V-2	350211-2
PHOS BRZ, PRE-TIN	NYLON, UL94V-2	350211-1
PIN CONTACT MATERIAL & FINISH	HOUSING MATERIAL & COLOR	PART NUMBER

THIS DRAWING IS A CONTROLLED DOCUMENT.		DWN K. WHITAKER 27MAY2005	Tyco Electronics Corporation Harrisburg, Pa 17105-3608
DIMENSIONS: mm [INCHES]		CHK D. COLEY 27MAY2005	
TOLERANCES UNLESS OTHERWISE SPECIFIED:		APVD D. COLEY 27MAY2005	NAME D. COLEY
0 PLC ± - 1 PLC ± - 2 PLC ± 0.38 [.015] 3 PLC ± - 4 PLC ± - ANGLES ± 0°30'		PRODUCT SPEC	HEADER ASSEMBLY, 4 CIRCUIT, COMMERCIAL MATE-N-LOK(TM)
MATERIAL SEE TABLE		FINISH SEE TABLE	SIZE A2
CAGE CODE 00779		DRAWING NO C=350211	RESTRICTED TO
CUSTOMER DRAWING		SCALE 5:1	SHEET 1 OF 1
		REV U1	

METRIC